

Tundish Level Measurement System

AGELLIS EMLI T

EMLI T

Tundish Level Measurement

Tundish Mounted Sensors

Monitors true metal level using sensors mounted in continuous casting tundishes in order to maintain correct steel pressure head, improve quality in the casting process and control drain level to optimize yield.

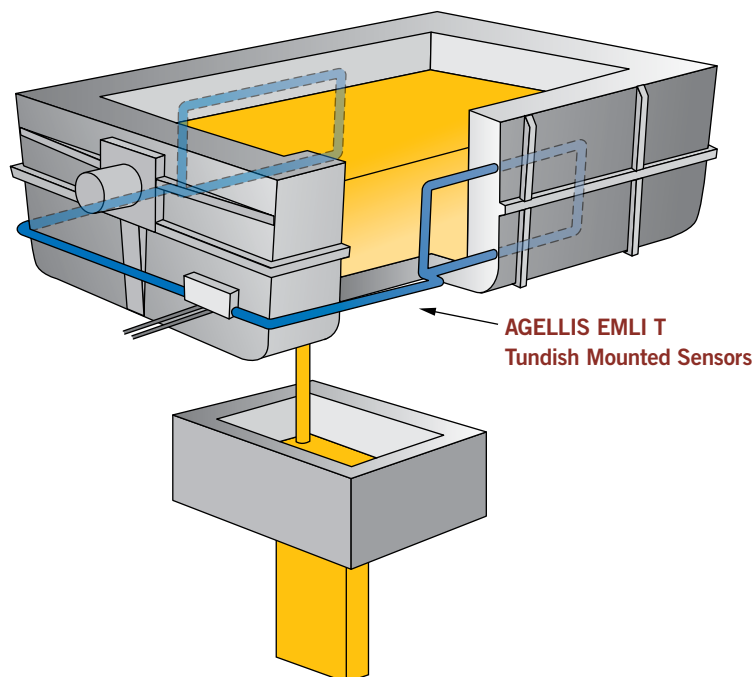
System Capabilities

The AGELLIS EMLI T unit constantly monitors the true steel level in the tundish during casting and provides outputs to control the flow from the ladle to maintain desired operating levels.

High and low levels are all indicated and displayed as required. The system also provides drain level for controlled emptying of steel from the tundish.

The AGELLIS EMLI sensors and cabling are customized to fit the tundish and the caster area.

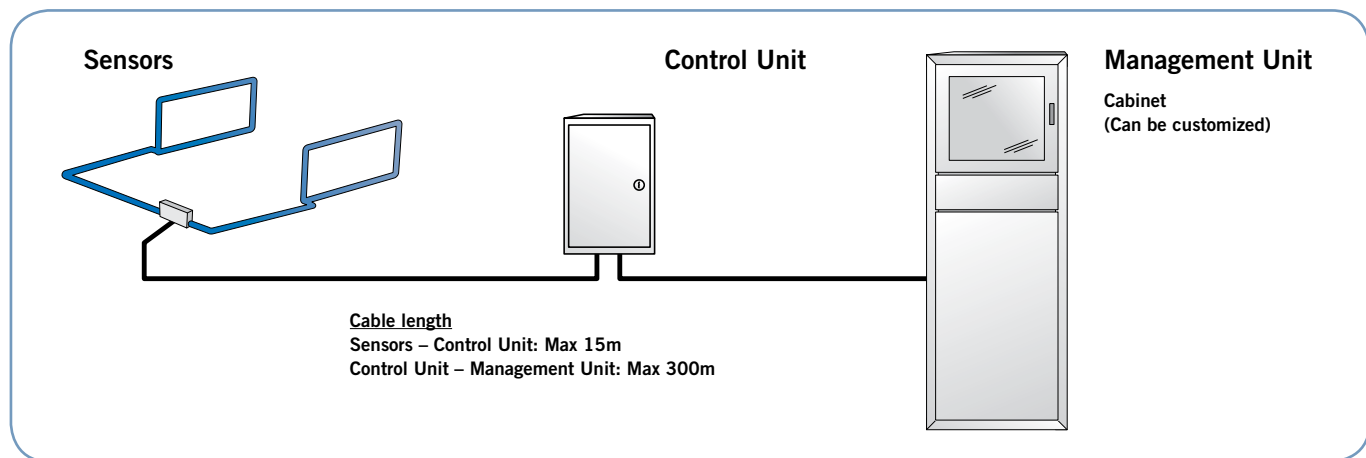
The sensors are designed for the extreme conditions and are mounted in a protected position against the inside of the tundish wall.



Technical Information

AGELLIS EMLI T

System Overview



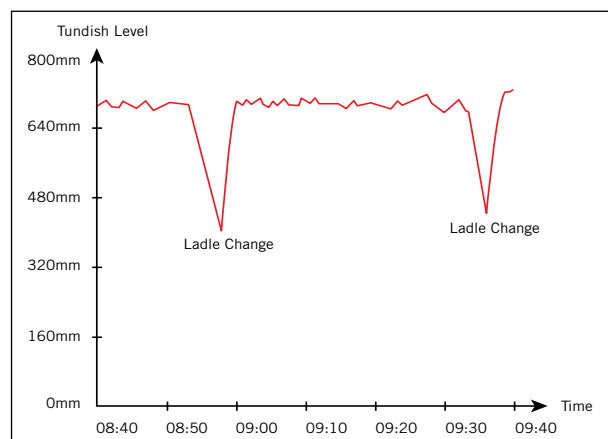
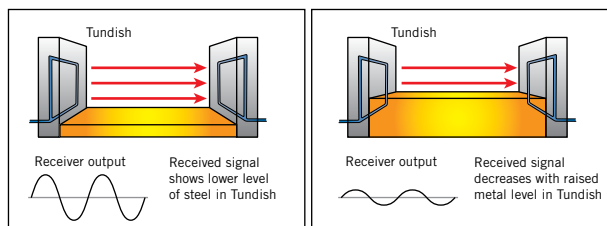
Technical Information

Power Supply:	90 - 230 VAC 50/60 Hz max 500 W
Frequency:	Normally 140 Hz
Sensitivity:	0,2%
Mounting specification:	Designed to endure the industrial environment mounted in a tundish
Cooling:	Sensor – no cooling required Main Electronics Unit – ambient temp. range up to +55°C
Safety standard:	Complies with known safety standards

Principles of Operation

A transmitter sensor is supplied with a current of a selected frequency that in turn induces a corresponding voltage of the same frequency in the receiver sensor by electromagnetic coupling.

As the metal in the tundish moves so the electromagnetic coupling changes the amplitude of the induced receiver sensor voltage. The calibrated signal output is linearised to denote the actual metal level in the tundish.



Agellis follows a policy of continual improvement of design and we must therefore reserve the right to supply equipment differing in detail from that described herein.

AGELLIS Group AB
Magistratsvägen 10
226 43 Lund
Sweden

Phone:+46 (0)46-10 13 60
Fax:+46 (0)46-10 13 61
Email:info@agellis.com
www.agellis.com

Your local representative:

For Additional Information Contact:
Metal Products and Engineering
447 South Sullivan Street
Hobart, Indiana 46342
219-942-2050

www.mpe.us.com