

Mould Level Measurement System

AGELLIS pt™ EMLI M

Mould Level Measurement

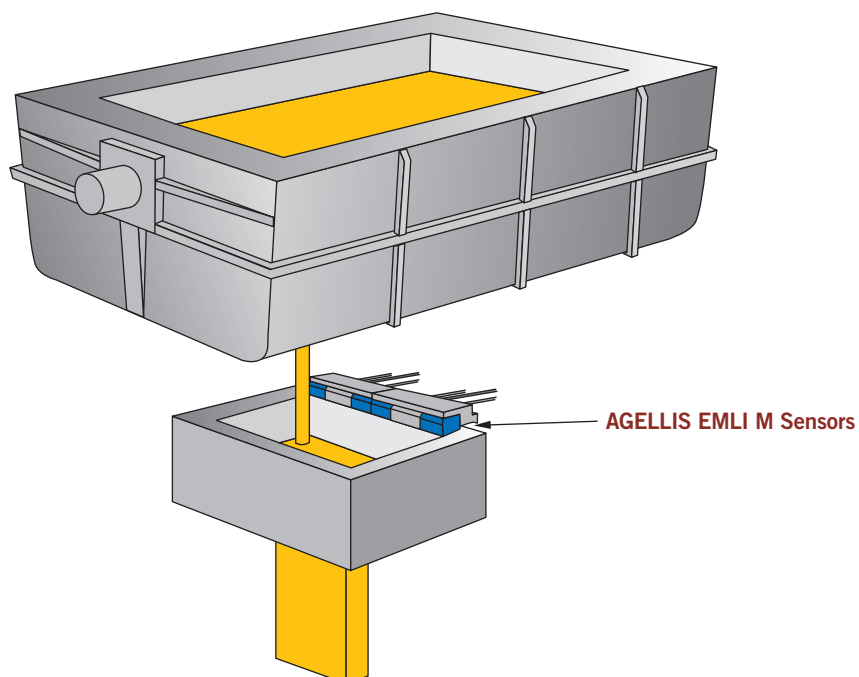
Mould Mounted Sensor

Monitors metal level using sensors mounted on continuous casting moulds in order to maintain accuracy and improve quality in the casting process.

System Capabilities

The AGELLIS pt™ EMLI M unit constantly monitors steel level in the mould during casting and provides outputs to control the flow to maintain desired operating levels. High and low levels, are all indicated and displayed as required.

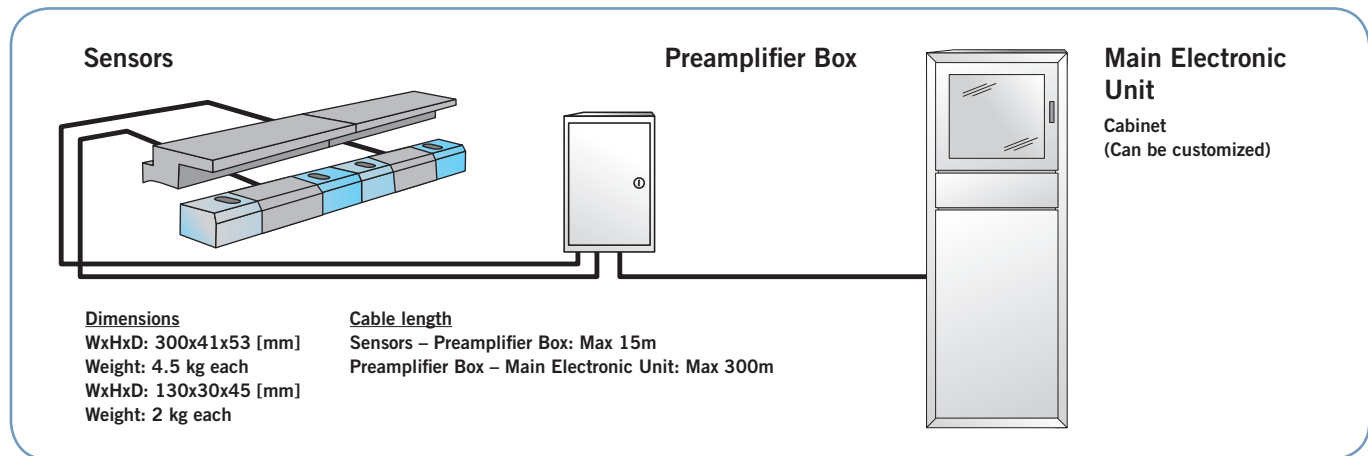
The AGELLIS EMLI sensors and cabling are customized to fit the mold and the caster area. The sensors are designed for the extreme conditions and are water-cooled.



Technical Information

AGELLIS pt™ EMLI M

System Overview



Technical Information

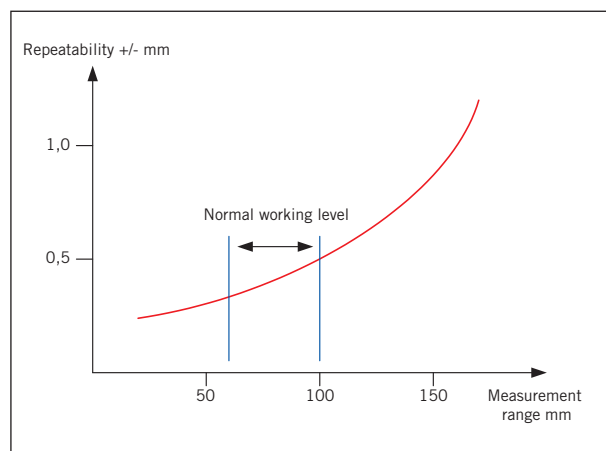
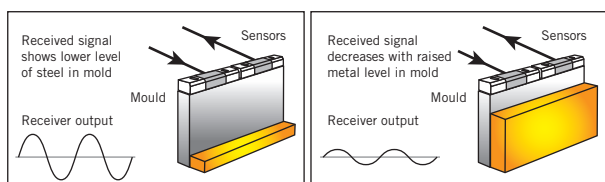
Electrical:	90 - 230 VAC 50/60 Hz max 500 W
Frequency:	Normally 1120Hz
Sensitivity:	0,2%
Repeatability:	+/- 2mm
Mounting specification:	Designed to endure the industrial environment mounted on a mold
Cooling:	Sensors – water cooling required Main Electronics Unit – ambient temp. range up to +55°C
Safety standard:	Complies with known safety standards

Principles of Operation

A transmitter sensor is supplied with a current of a selected frequency that in turn induces a corresponding voltage of the same frequency in the receiver sensor by electromagnetic coupling.

As the metal in the mould moves so the electromagnetic coupling changes the amplitude of the induced receiver sensor voltage.

The calibrated signal output is linearised to denote the actual metal level in the mould.



Agellis follows a policy of continual improvement of design and we must therefore reserves the right to supply equipment differing in detail from that described herein.

AGELLIS Group AB
Magistratsvägen 10
226 43 Lund
Sweden

Phone:+46 (0)46-10 13 60
Fax:+46 (0)46-10 13 61
Email:info@agellis.com
www.agellis.com

Your local representative:

For Additional Information Contact:
Metal Products and Engineering
447 South Sullivan Street
Hobart, Indiana 46342
219-942-2050

www.mpe.us.com