

Mould Level Measurement System

AGELLIS pt™ EMLI Ms

Mould Level Measurement Suspended Sensor

Monitors metal level using a sensor suspended in a continuous casting mould in order to maintain accuracy and improve quality in the casting process.

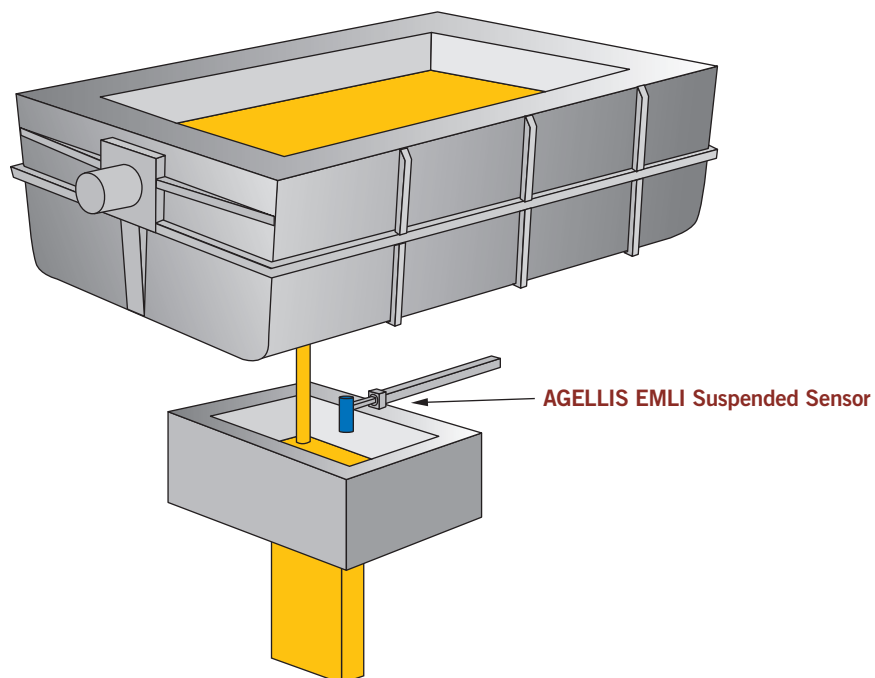
System Capabilities

The AGELLIS pt™ EMLI Ms suspended sensor constantly monitors steel level in the mould during casting and provides outputs to control the flow to maintain desired operating levels.

High and low levels, are all indicated and displayed as required.

The suspended sensor unit can be mounted on an automatic or manual arm in order to access the correct position in the mould.

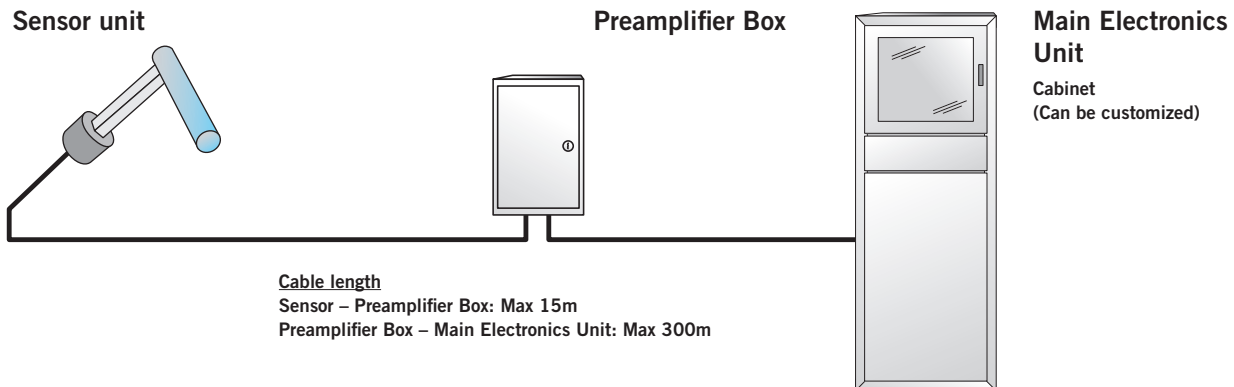
The AGELLIS EMLI sensor is designed to operate in the extreme conditions. It has high temperature covers and is designed for cooling.



Technical Information

AGELLIS pt™ EMLI Ms

System Overview



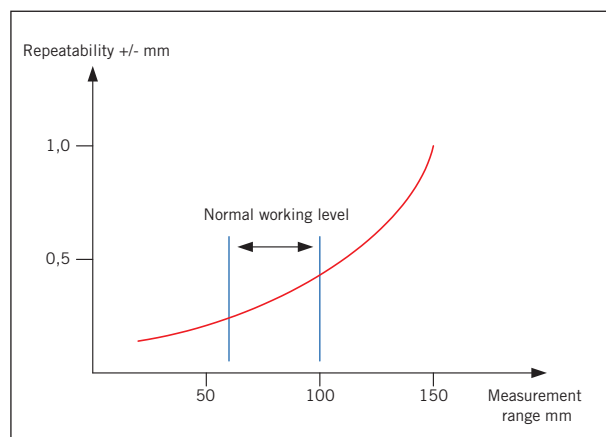
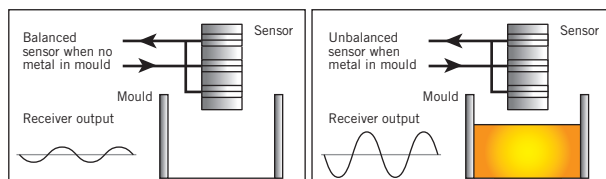
Technical Information

Electrical:	90 - 230 VAC 50/60 Hz max 500 W
Frequency:	35 mm sensor normally 12kHz, 90 mm sensor normally 1120Hz
Sensitivity:	0,2%
Mounting specification:	Designed to endure the industrial environment over a mould
Cooling:	Sensor – air/nitrogen cooling required Main Electronics Unit – ambient temp. range up to +55°C
Safety standard:	Complies with known safety standards

Principles of Operation

Within the suspended sensor unit a transmitter coil is supplied with a current of a selected frequency that in turn induces a corresponding voltage of the same frequency in receiver coils also within the unit. These sensor coils are balanced when in an empty mould.

As the mould is filled the metal moves within the range of the sensor and the balance between the coils is changed in proportion to the metal proximity. The calibrated signal output is linearised to denote the actual metal level in the mould.



Agellis follows a policy of continual improvement of design and we must therefore reserves the right to supply equipment differing in detail from that described herein.

AGELLIS Group AB
Magistratsvägen 10
226 43 Lund
Sweden

Phone:+46 (0)46-10 13 60
Fax:+46 (0)46-10 13 61
Email:info@agellis.com
www.agellis.com

Your local representative:

For Additional Information Contact:
Metal Products and Engineering
447 South Sullivan Street
Hobart, Indiana 46342
219-942-2050

www.mpe.us.com